

ict



Coupon Printer

GP-58DR

Installation Guide

International Currency Technologies Corp.

Use of Materials Limitations

International Currency Technologies Corporation (ICT) all rights reserved.

All materials contained are the copyrighted property of ICT.

All trademarks, service marks, and trade names are proprietary to ICT.

ICT reserves the right at all times to disclose or to modify any information as ICT deems necessary to satisfy any applicable law, regulation, legal process or governmental request, or to edit, refuse to post or to remove any information or materials, in whole or in part, in ICT's sole discretion.

Contents

1. Introduction.....	2
2. Specifications.....	3
3. Dimension.....	5
3-1. Metal Frame.....	6
3-2. Component Names.....	7
4. Hardware Setup	
4-1. Connection.....	8
4-2. DIP Switch Setup.....	9
4-3. Button Key (only work in Pulse mode)	9
4-4. Harness application	10
4-4-1. I/O Circuit.....	13
4-5. Setup Procedures.....	14
5. Software Setup	
5-1. Coupon & Receipt Setup.....	19
5-2. GP-58DR Tools.....	20
6. How to replace a new paper roll.....	32
7. Troubleshooting	
7-1. Bezel LED Error.....	34
7-2. LED Error.....	35

1. Introduction

The GP-58DR has a built-in real time clock for the ticket time stamping. Its excellent reporting system provides daily and summary transaction reports. The GP-58DR stores up to 365 days of daily reports, and the reports can be deleted if no longer needed.

Both coupon and receipt are customizable. The downloadable design provides the flexibility to use the customized ticket formats and logos in an easy way. Using the GP-58DR software tools, the designed format can be saved for later use.

1-1. Feature

- Full / partial cut function.
- User-friendly multiple interfaces.
- Easy installation and low maintenance.
- Fast printing speed.
- 12V DC power consumption available.
- Support 56mm paper rolls.
- Supports QR code generation and printing.(For Gaming)

2. Specifications

General

Power Source	12V DC (10.8~13.2 VDC)
I/O Level	DC 0V~12V 5mA~130mA
Paper Width	56 ±0.5mm
Paper Roll Diameter	65 ±0.5mm
Interface	RS232, Pot of Gold, Pulse
Power Consumption	Standby : 0.06A Operation : 1.85A, 24W Maximum : 6A
Operation Environment	Operation Temperature : 0°C~+50°C Storage Temperature : -20°C~+60°C Humidity : 30 %~85 %RH (no condensation)
Weight	Approx. 700g
Installation	Indoor

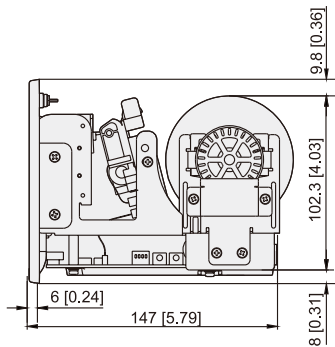
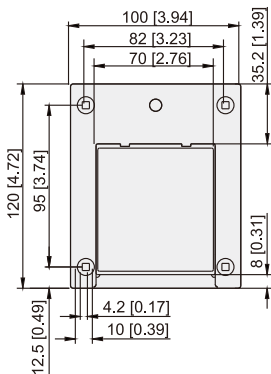
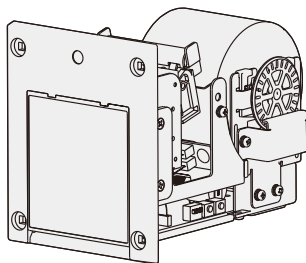
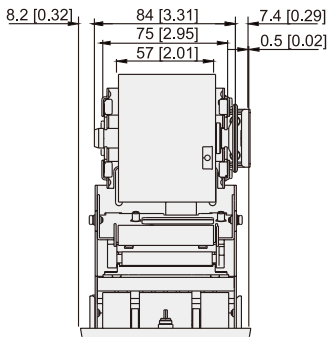
Cutter

Thickness	Max. 0.12mm
Life Time	Max. 500,000/time
Time	Max. 1 sec/time

Print head

Life	30KM
Resolution	8 dots/mm
Speed	40mm/Sec

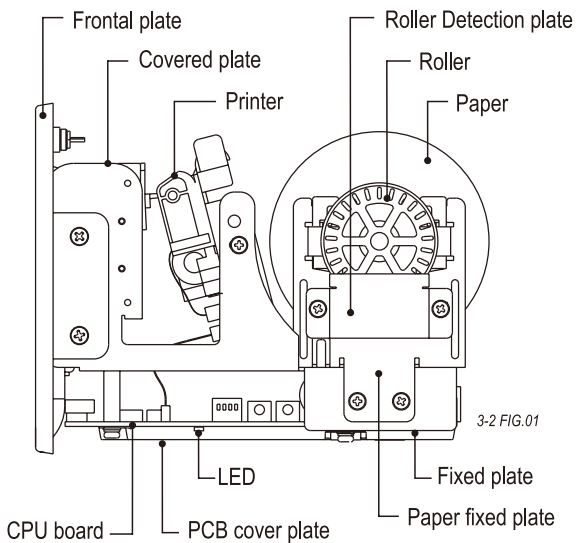
3. Dimension



Unit:mm[inch]

3 FIG.01

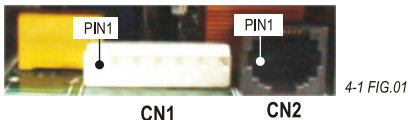
3-2. Component Names



4. Hardware Setup

4-1. Connection

Please refer to the pictures and tables on the following pages for information about the function of each of the connector pins.



CN1 C/A & B/A

PIN 1- Red.....	+12V DC
PIN 2- Black.....	GND
PIN 3- Brown.....	Coin in signal, Input, Open Collect
PIN 4- Orange.....	Note in signal. Input, Open Collect
PIN 5- Yellow.....	Payout Trigger, Input, Open Collect
PIN 6- Green.....	Ticket Out, Output, Open Collect
PIN 7- Blue.....	Error output, Output, Open Collect

CN2 Serial Interface

PIN 1- GND
PIN 2- TXD2, Output, TTL Level.
PIN 3- RXD2, Input, TTL Level.
PIN 4- PROGRAM
PIN 5- /RESET
PIN 6- VCC (+5V DC)
PIN 7- RXD1, Input, TTL Level.
PIN 8- TXD1, Output, TTL Level.



Do not use RS232 and USB simultaneity.

4-2. DIP Switch Setup

(a) Pulse mode:

4-2 TABLE 01

Interface	Function	SW1	SW2	SW3	SW4
Pulse	Part Cut	OFF		N.A.	OFF
	Full Cut	ON			
	38400/N/8/1		OFF		
	9600/N/8/1		ON		

(b) POG mode:

4-2 TABLE 02

Interface	Function	SW1	SW2	SW3	SW4	
POG	N.A.	N.A.		OFF	ON	
	2400/N/8/1					OFF
	9600/N/8/1					ON
	POS-A , POS-F					OFF
	POS-1					ON

4-3. Button Key (only work in Pulse mode)

4-3 TABLE 01

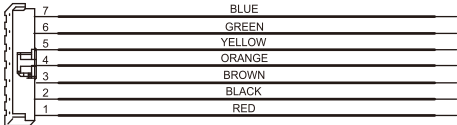
Interface	Function	Key1	Key2	SW4
Pulse	Print Daily Report	Short Pressed		OFF
	Print Printer Information	Long Pressed		
	Paper Forward			

4-4. Harness application

4-4 TABLE.01

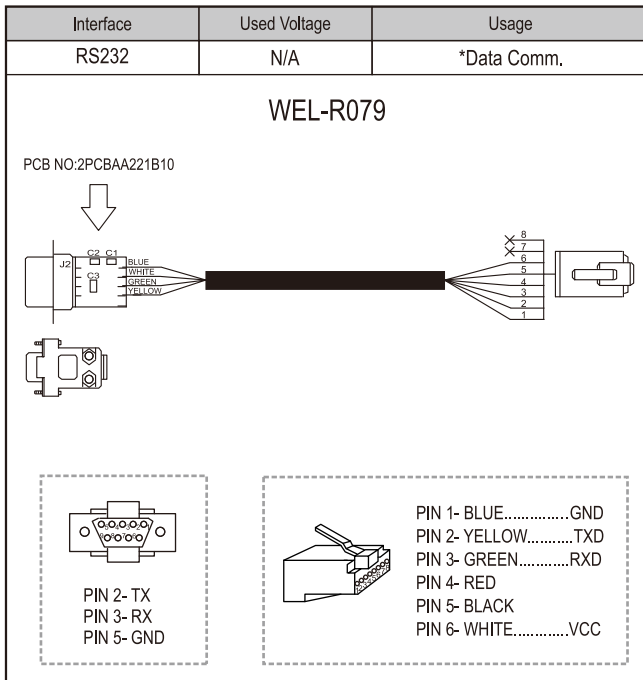
Interface	Used Voltage	Usage	Harness	Page
Pulse/ Hopper	12V DC	Power & *Data Comm.	WEL-R082	10
RS232	N/A	*Data Comm.	WEL-R079	11
POG	N/A	*Data Comm.	5RTP-00580P0B	12

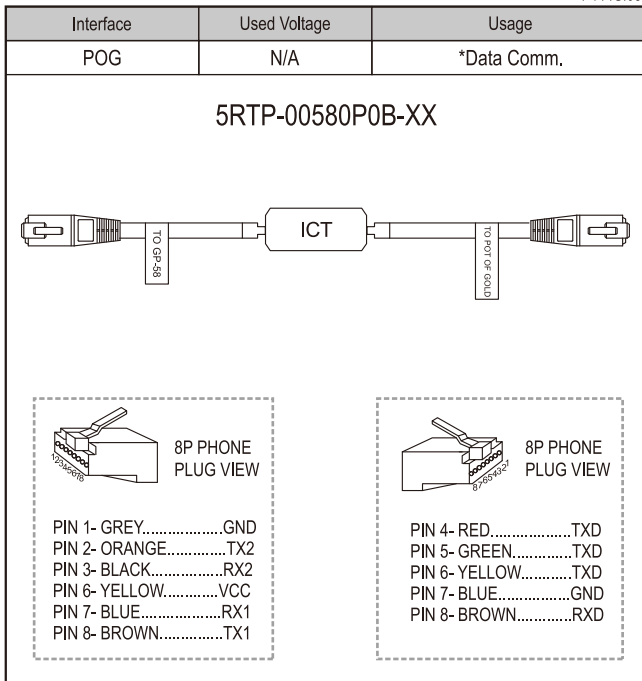
4-4 FIG.01

Interface	Used Voltage	Usage	
Pulse/ Hopper	12V DC	Power & *Data Comm.	
WEL-R082			
			
PIN	Color	Function	Signal
1	RED	Power +12V/+24V	POWER+ INPUT
2	BLACK	Power -0V (GND)	POWER- INPUT
3	BROWN	COIN_IN Trigger	PULSE INPUT
4	ORANGE	NOTE_IN Trigger	PULSE INPUT
5	YELLOW	PAYOUT Trigger	PULSE INPUT
6	GREEN	TICKET_OUT	LOW VOLTAGE OUTPUT
7	BLUE	ERROR_OUT	LOW VOLTAGE OUTPUT



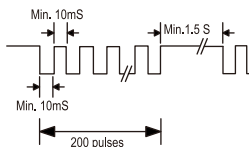
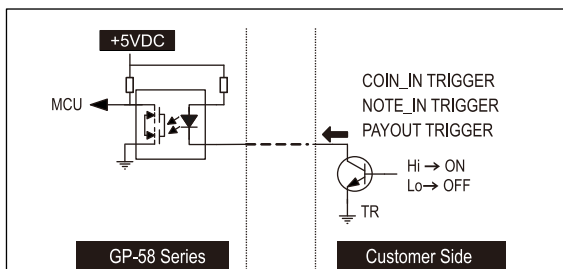
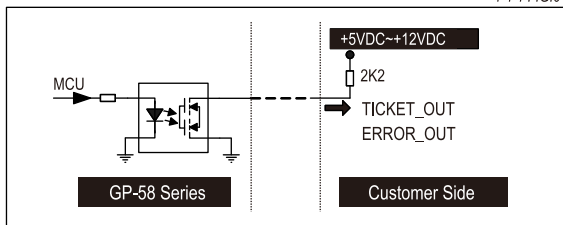
PIN3~PIN5 Normal Input Voltage: HI DC 5V~12V.
 Trigger Level Voltage: Low 0V (GND) Output Current Max. 5mA.
 PIN6~PIN7 Normal Floating.
 Output Signal: Low 0V (GND) Input Current Max. 130mA.





4-4-1. I/O Circuit

4-4-1 FIG.01



Ex.

A user sends 200 pulses (trigger signal) to GP-58, afterward, GP-58 detect a Hi level and if this continues longer than 1.5 seconds, then GP-58 will print out "200" amount on ticket.

4-5. Setup Procedures

General Setup:

Step 1. Connect WEL-R082 to CN1 on PCB.

Step 2. Install paper roll into paper roll container on machine, paper roll is required to be setup according to the same direction of raster. (Please refer to Chapter 6.)

Step 3. **For RS-232 or Coupon/ Receipt Format Setup:**

Connect WEL-R079 to PC COM port and CN2 on machine.
(Page 11, 4-4 FIG.02)

Step 4. Turn power on and install paper roll properly, the machine will automatically detect the paper (Approx. 2 seconds) and roll the paper into the printing module.

If the installation of the paper roll is correct, the machine is ready for printing.

Working light on the machine's bezel will be on.

(Please connect the wires as Page 16, 4-5 FIG.01)

Step 5. JP1 is for battery setting.

Switch between enable and disable for battery setting.

***Default setting is Enable.**

(Page 18, 4-5 FIG.03)

Pot of Gold Setup:

Step 1. Connect WEL-R082 to CN1 on PCB.

Step 2. Install paper roll into paper roll container on machine, paper roll is required to be setup according to the same direction of raster. (Please refer to Chapter 6.)

Step 3. Connect 5RTP-00580P0B-xx to VMC and CN2 on machine.
(Page 12, 4-4 FIG.03)

Step 4. Turn power on and install paper roll properly, the machine will automatically detect the paper (Approx. 2 seconds) and roll the paper into the printing module.

If the installation of the paper roll is correct, the machine is ready for printing.

Working light on the machine's bezel will be on.

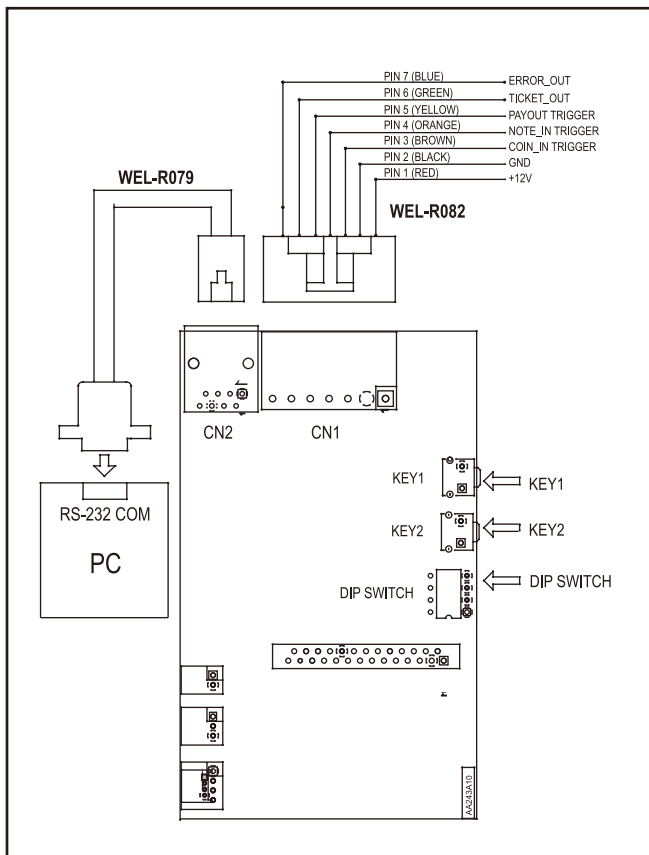
(Page 17, 4-5 FIG.02)

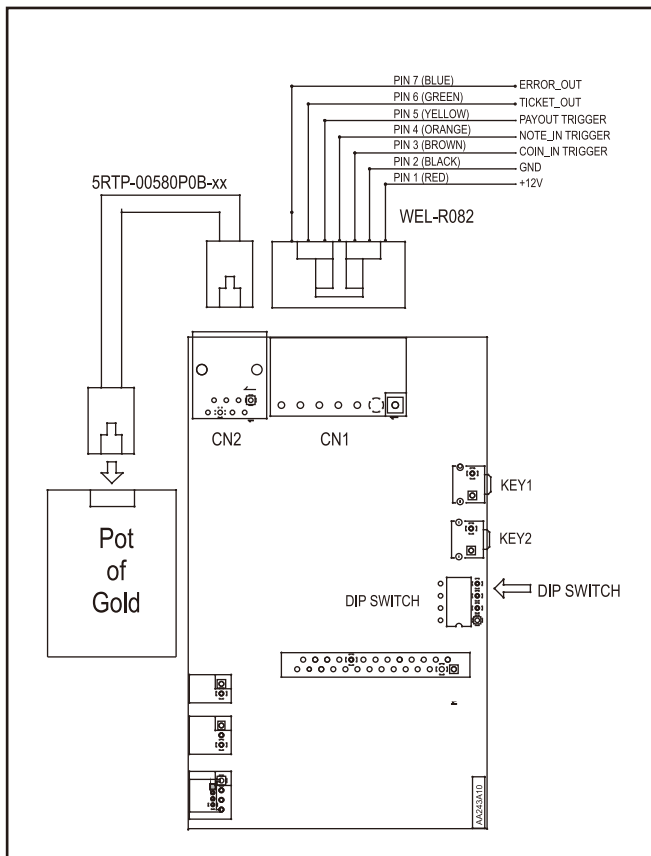
Step 5. JP1 is for battery setting.

Switch between enable and disable for battery setting.

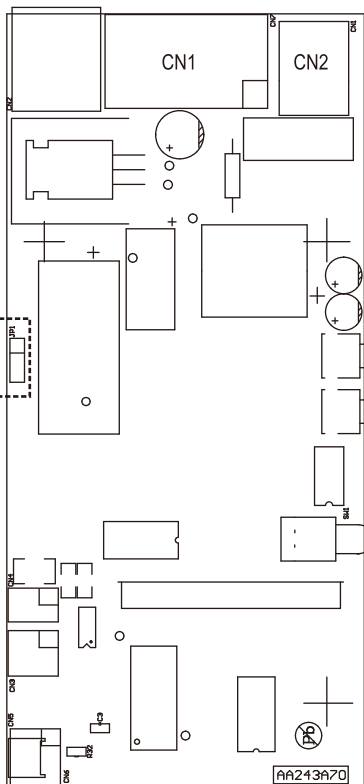
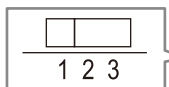
***Default setting is Enable.**

(Page 18, 4-5 FIG.03)





JP1
 Battery Charge
 1,2 PIN Short j Enable
 2,3 PIN Short j Disable



5. Software Setup

5-1. Coupon & Receipt Setup

The GP-58DR can print two different types of tickets, each for a different purpose:

A coupon indicates the payout points for the player.

A receipt is provided to the player when s/he inserts coins or bills into the C/A or B/A.

The format of the coupon and receipt can be designed and changed by yourself and then upload it into machine by using GP-58DR Tools utility.



5-1 FIG.01

5-2. GP-58DR Tools

Please visit ICT web site <http://www.ictgroup.com.tw> to download the Tool.

DOWNLOAD AREA

Download Area »

Client Area »

Contact Support »

Technical Enquiry »

Select Search

Please select a product to check the available files, choosing among operating manuals and product sheets, firmware and software, datasets and drivers. If you don't find what you are looking for, please contact us using the Request Form.

GP-58XR ▾

User's Tool ▾

English ▾

All ▾

SUBMIT ↻

Printer Tool.

Before Setup Printer Tool , Please select appropriate Windows OS.
Printer support: Windows 7, Windows 10, Windows 11.

Step 1. Double click the msi install file as shown below:



5-2 FIG.01

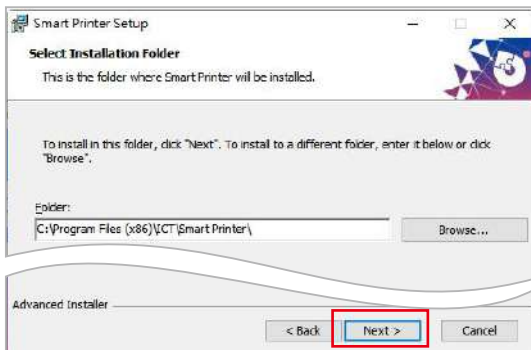


Step 2. Click **“Next”** button and start to install **“Smart Printer”** tool.



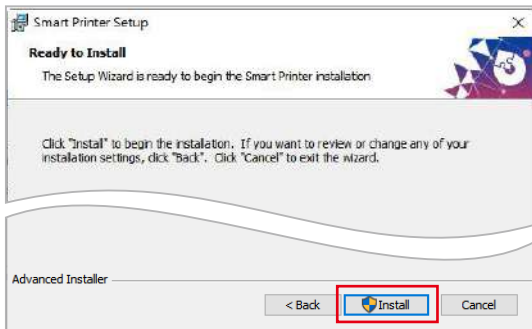
5-2 FIG.03

Step 3. Check and confirm the install path and click the **“Next”** button.



5-2 FIG.04

Step 4. Click the “Install” button.



5-2 FIG.05

Step 5. Smart Printer tool is installed completely and click the “Finish” button to exit the install process.



5-2 FIG.06

Printer configure Setting and Print Ticket for GP-58 DR.

Step 6. Open the “**Smart Printer**” tool.

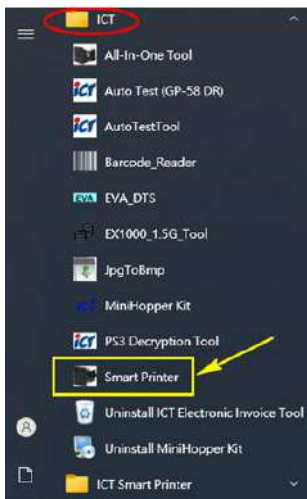
Method 1:

Double Click  from Desktop.



Method 2:

One Click



from Start menu.

Step 7. Select a **COM port** to connect GP-58 DR and PC.

Check the Information of GP-58 DR (Click the “Home” icon)



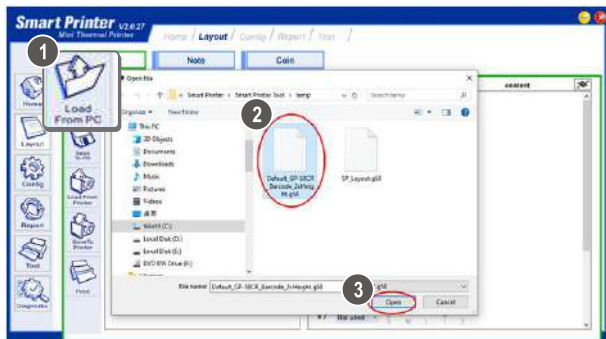
5-2 FIG.07

Step 8. Load and set the default print script from PC.



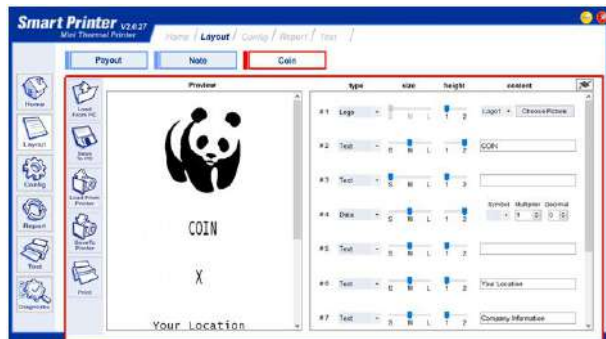
5-2 FIG.08

8.2. Click the “Load From PC” icon and select the default script file (File extension is g58) to load the default Logo and Texts.



5-2 FIG.08-1

8.3. Load and show the default Logo and Texts.



5-2 FIG.08-2

Step 9. Save the default print script to GP-58 DR.

9.1. Check and confirm the print script.



5-2 FIG.09

Step 10. Set the print configuration for GP-58 DR.

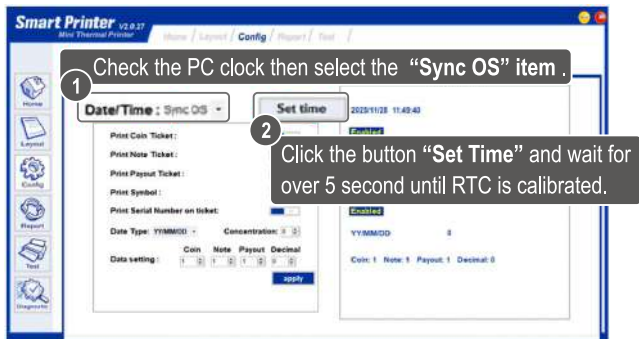
10.1. Click the "Config" icon

10.2. Check all items of configuration



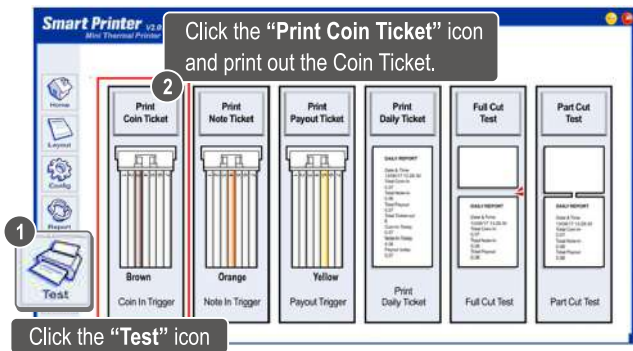
5-2 FIG.10

Step 11. RTC calibration for GP-58 DR.



5-2 FIG.11

Step 12. Print Test for GP-58 DR.



5-2 FIG.12

12-1. Print Coin Ticket.



5-1 FIG.12-1

Step 13. Daily History Report for GP-58 DR

Click the **“Report”** icon and **“History Report”** tab.

Select and set the Start Date & End Date of History Report.

Input the tracking period then Click the **“Record Search”** icon it will Report the transaction records on the right side.

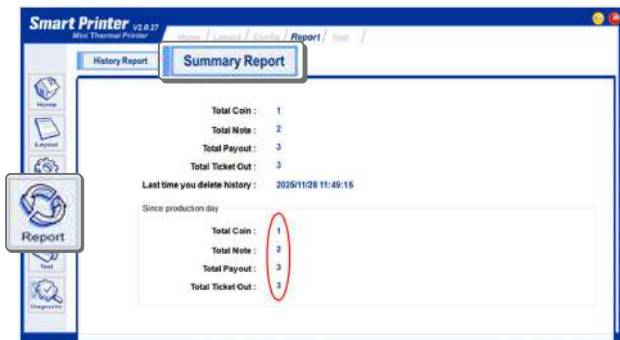
Time	Coin_In	Coin_Out	Pay_Out	Ticker_Out
2025/11/28 13:30:18	0	0	0	0
2025/11/28 13:30:18	0	0	0	0
2025/11/28 13:30:18	0	0	0	0

5-2 FIG.13

Step 14. Summary Report for GP-58 DR.

Click the “**Report**” icon and “**Summary Report**” tab.

Summary Report are shown on the lower side.

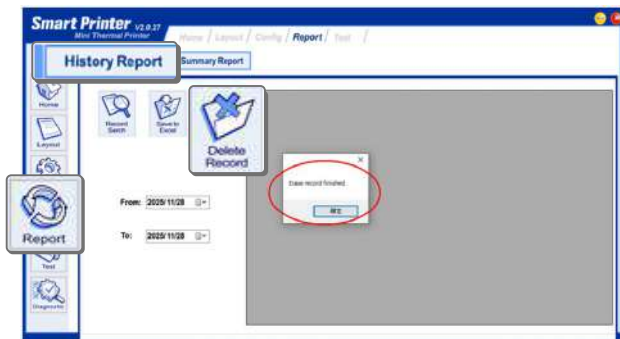


5-2 FIG.14

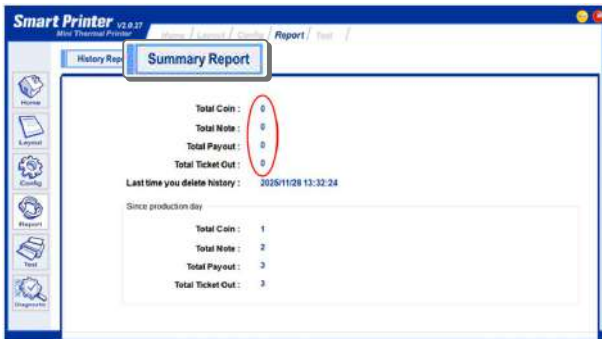
Step 15. Delete History Report for GP-58 DR.

Click the “**Report**” icon and “**History Report**” tab.

Click the “**Delete Record**” icon.



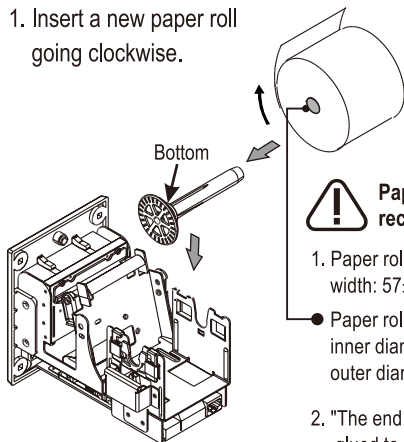
5-2 FIG.15



5-2 FIG.15-1

6. How to replace a new paper roll?

1. Insert a new paper roll going clockwise.



6 FIG.01



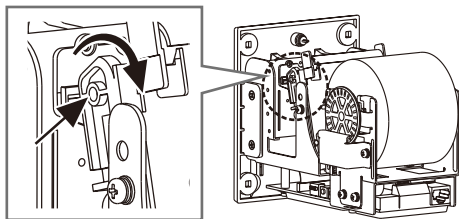
Paper Roll Purchase recommendation

1. Paper roll size
width: $57 \pm 1 \text{mm}$, diameter: $80 \pm 2 \text{mm}$
- Paper roll core
inner diameter: $13 \pm 0.5 \text{mm}$,
outer diameter: $20.4 \pm 1 \text{mm}$
2. "The end of the paper" needs to be glued to "the paper roll core".



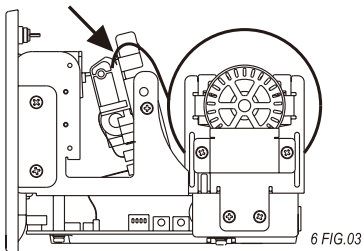
Please push paper roll to the bottom while installing.

2. Push the printer lever clockwise.

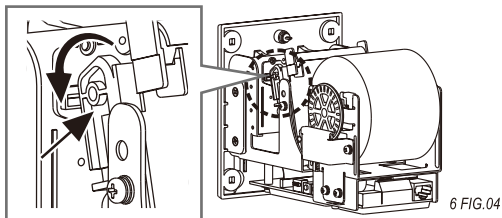



6 FIG.02

3. When Detector Sensor automatically detect paper, installation completes.



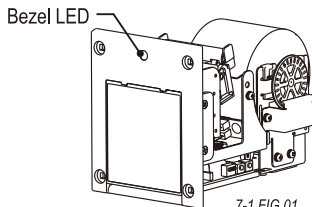
4. Push the printer lever back counterclockwise.



<i>Maintenance Notice</i>	
	Recommended Mild, non-abrasive, soap water.
DO NOT USE	Organic solvent , Alcohol, Volatile liquid.

7. Troubleshooting

7-1. Bezel LED Error



7-1 FIG.01

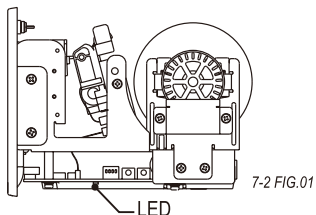
7-1 TABLE 01

Message Light	Status	Solution
Green Flash	Low paper warning	Refill new paper roll



If the error can not be solved after corrective actions or it recurs, please contact ICT for technical support.

7-2. LED Error



7-2 TABLE 01

Message Light	Status	Solution
Red	Check Sum error.	Contact the retailer.
Red flash 1 time	Thermal head no paper.	Re-feed paper into the Thermal head.
Red flash 2 time	Paper Cutter abnormal.	To make sure paper path jam-free.
Red flash 3 time	1. Out of paper. 2. Raster sensor abnormal.	1. Refill new paper roll. 2. Contact the retailer.
Red flash 4 time	Thermal head over heat.	Contact the retailer.
Red flash 5 time	Thermal head heating over time.	Contact the retailer.
Red flash 6 time	Raster count abnormal when printer is printing.	1. Pull paper roll tighten. 2. Contact the retailer.
Blue	Printer power up - Boot1.	
Magenta	Printer power up - Boot2.	
Blue flash	Firmware upgrading.	

ict Taiwan

International Currency Technologies Corporation

No.28, Ln. 15, Sec. 6, Minquan E. Rd., Neihu Dist., Taipei City 114, Taiwan

sales@ictgroup.com.tw (For Sales)

fae@ictgroup.com.tw (For Customer Service)

Website: www.ictgroup.com.tw

